

# 5 Lever

2201

## 5 Lever Mortice Sash Lock



### Application:

- For timber doors hinged on left or right
- To suit doors up to 54mm thick

### Specification:

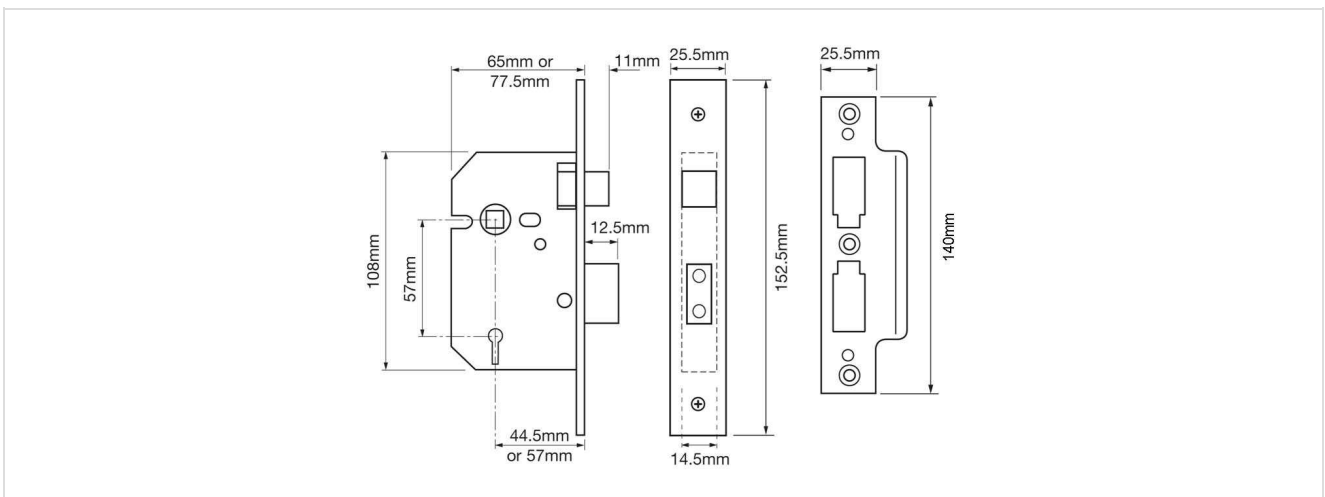
- Deadbolt locked or unlocked by key from either side
- Latch bolt withdrawn by lever handle from either side
- May be keyed alike with 2101 and 2401
- Pierced to accept bolt through furniture
- NB: Not suitable for master keying
- Security box striking plate
- Easily reversible latch bolt from outside of case
- Available with square forend and striking plate
- Case Size: 65mm (2.5") or 77.5mm (3")
- Backset: 44.5mm or 57mm
- Case: Steel, red powder coat
- Forend: Stainless steel or brass
- Striking Plate: Finished to match forend
- Deadbolt: Brass, with hardened steel rollers
- Latch Bolt: Brass, easily reversible
- Follower: Brass, 8mm square
- Rebate Kit: 2989 (13, 19 or 25mm sizes)
- Keying Groups: May be supplied to pass or differ. Supplied with 2 steel nickel plated keys
- Key Blank Number: KB430
- Keying: 600 standard differs (keys are not numbered for security purposes)
- Available in SC and PL finishes



### Finish:

- SC - Satin Chrome finish
- PL - Polished Brass finish

### Technical Design:



# 5 Lever

2201

## 5 Lever Mortice Sash Lock



ASSA ABLOY

### Variants:

Code	Description
J2201-PL-2.50	5-LEVER MORTICE LOCK
J2201-PL-3.00	5-LEVER MORTICE LOCK
J2201-SC-2.50	5-LEVER MORTICE LOCK
J2201-SC-3.00	5-LEVER MORTICE LOCK
Y2201-PL-2.50	5-LEVER MORTICE LOCK - Visi
Y2201-PL-3.00	5-LEVER MORTICE LOCK - Visi
Y2201-SC-2.50	5-LEVER MORTICE LOCK - Visi
Y2201-SC-3.00	5-LEVER MORTICE LOCK - Visi
JP2201-PL-2.50	5-LEVER MORTICE LOCK - To Pass
JP2201-PL-3.00	5-LEVER MORTICE LOCK - To Pass
JP2201-SC-2.50	5-LEVER MORTICE LOCK - To Pass
JP2201-SC-3.00	5-LEVER MORTICE LOCK - To Pass