

C-Series Mortice Locks

3G114E

BS 5 Lever Mortice Deadlock



Application:

- Approved by insurance companies and the Police
- For timber door hinged on the left or the right
- Keys are suitable for use on doors up to 50mm thick

Specification:

- Force resistant, anti drill, anti-pick and anti-saw security features
- Available with square forend and striking plate
- 20mm bolt throw
- Can be supplied on patented RKS key section to prevent illicit copying of keys
- Can be supplied with either a single or double pole microswitch for alarm systems
- Supplied with one plain escutcheon and one escutcheon with a cover plate, finished to match the faceplate/strike
- Case Size: 67mm or 80mm
- Backset: 40mm or 53mm
- Case: Silver powder coat
- Forend: Stainless steel or brass
- Box Strike Assembly: Painted to match forend
- Deadbolt: Brass, with hardened steel rollers
- Keying Groups: Standard differ or to pass. Not suitable for master keying
- Keys supplied: Standard differ supplied with 3 keys. For locks to pass please specify number of keys required
- Key Blank Number:
 - B-K722 (standard)
 - B-K750 (RKS)
- Cut Key Number: B-5LC standard
- Rebate Kit: B-3G114R (13mm, 19mm and 25mm)
- Available in SC and PL finishes



Standards:

- Tested to BS3621:2007
- EN 1634-1 assessed for use on 60 minutes timber fire doors



Finish:

- SC - Satin Chrome finish
- PL - Polished Brass

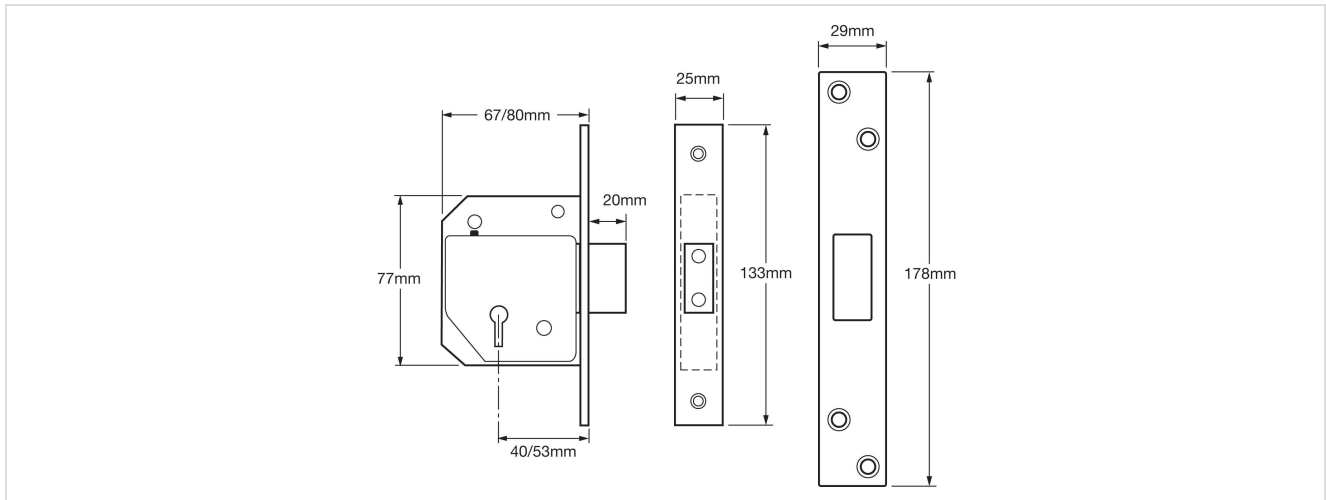
C-Series Mortice Locks

3G114E

BS 5 Lever Mortice Deadlock



Technical Design:



Variants:

Code	Description
B-3G114E-PL-67	5 Lever Mortice Deadlock (20mm Bolt)
B-3G114E-PL-80	5 Lever Mortice Deadlock (20mm Bolt)
B-3G114E-SC-67	5 Lever Mortice Deadlock (20mm Bolt)
B-3G114E-SC-80	5 Lever Mortice Deadlock (20mm Bolt)
BP-3G114E-PL-67	5 Lever Mortice Deadlock (20mm Bolt) - To Pass
BP-3G114E-SC-67	5 Lever Mortice Deadlock (20mm Bolt) - To Pass
BP-3G114E-SC-80	5 Lever Mortice Deadlock (20mm Bolt) - To Pass
B-3G114ESP-PL67	Mortice Deadlock w/ Single Pole Microswitch (20mm bolt)
B-3G114ESP-PL80	Mortice Deadlock w/ Single Pole Microswitch (20mm bolt)
B-3G114ESP-SC67	Mortice Deadlock w/ Single Pole Microswitch (20mm bolt)
B-3G114ESP-SC80	Mortice Deadlock w/ Single Pole Microswitch (20mm bolt)
B-3G114EDP-PL67	Mortice Deadlock w/ Double Pole Microswitch (20mm bolt)
B-3G114EDP-SC67	Mortice Deadlock w/ Double Pole Microswitch (20mm bolt)
B-3G114EDP-SC80	Mortice Deadlock w/ Double Pole Microswitch (20mm bolt)
V-3G114E-PL-67	5 lever Deadlock (20mm Bolt)
V-3G114E-PL-80	5 lever Deadlock (20mm Bolt)
V-3G114E-SC-67	5 lever Deadlock (20mm Bolt)
V-3G114E-SC-80	5 lever Deadlock (20mm Bolt)
B-3G114E-BTHROW	10 X BOLT THROWS
BP-3G114EPL67-2	MORTICE DEADLOCK TO PASS 2 KEY
BP-3G114EPL80-2	5-LEVER MORTICE DEADLOCK 2 KEY
BP-3G114ESC67-2	5-LEVER MORTICE DEADLOCK 2 KEY
BP-3G114ESC800K	BS 5 LVR M D/L 20MM KA NO KEYS
BP-3G114SC67-0K	5-LEVER MORT DEADLOCK TO PASS
BP-3G114SC67-2K	5-LEVER MORT DEADLOCK TO PASS
BP-3G114SPSC-67	MORT.D/LOCK SPMS SAT
BP-3G205-200-2K	REKEY KIT TO PASS(3G114E/3K74E)